



225P

Commercial Sectional Doors
25 Gauge / 2" Sections



225P

Sandstone ribbed panel with Opti-View windows



225P

Formally marketed as H-225P

VALUE



Door: 10 yr



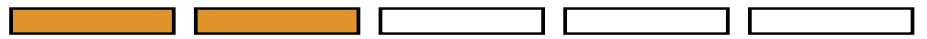
Hardware: 1 yr



Springs: 1 yr

- **R-7.4** with Opt. Insulation
- Steel (25 ga.)
- 2" Section Thickness
- 3 Colors
- 2 Panel Designs
- 3 Window Designs

Thermal Rating



Durability



Low Maintenance



Section Detail

SECTION DETAIL 225P panels are produced in stucco texture for ribbed design or woodgrain texture for raised panel design. The door panels are prepared inside and out to offer maximum protection to provide you with a long-lasting surface finish and reduced maintenance cost.

Left Facing Page Image:

Sandstone ribbed panel with Opti-View windows

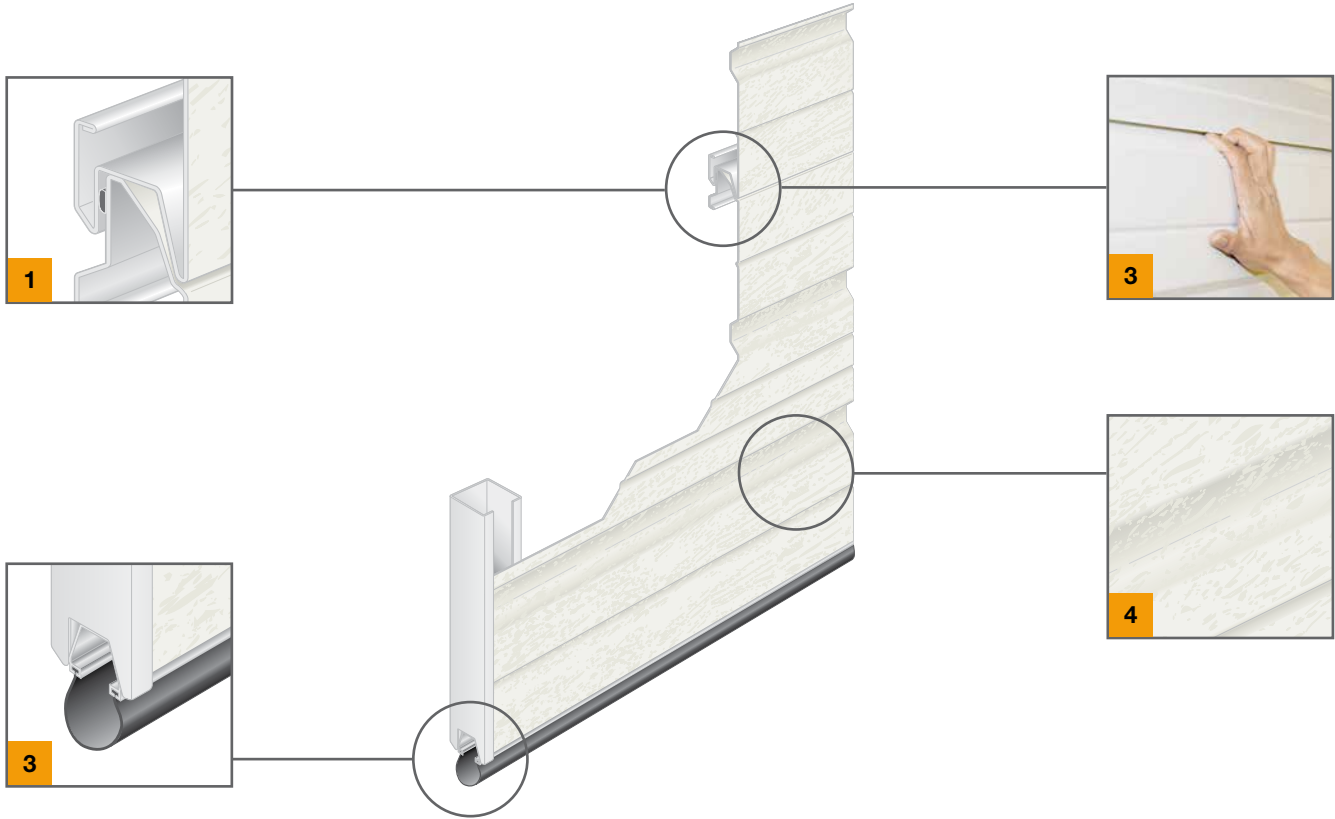
Bottom Left Image:

Close-up of a ribbed panel with stucco texture

225P

Panel Features

The Industry Leader in Innovative Door Choice and Quality



Between Section Seals **1**

Special heavy-duty material that acts as a gasket between sections to reduce the air infiltration while further enhancing the insulation properties.

Bottom Weather Seal **3**

Keeps out wind, rain, debris and other elements for added energy savings.

FingerGuard™ Pinch-resistant **2** Section Joints

Prevent fingers from getting caught between the door sections reduces the risk of injuries which may result in worker's compensation claims.

Panel Surface Treatment **4**

Galvanized finished painted steel provides superior corrosion resistance for years of trouble-free performance.

Panel Design

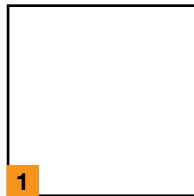


1

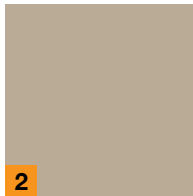


2

- 1 Ribbed
- 2 Traditional Raised Panel



1



2



3

Color Options

- 1 White
- 2 Sandstone
- 3 Brown

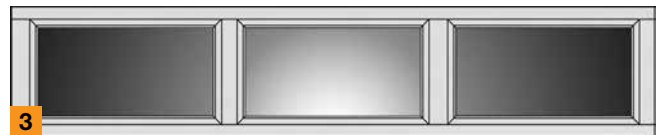
Window Design Options



1



2



3

- 1 Window 24" X 6"
- 2 Window 24" X 12"
- 3 Opti-View (Not available for raised panel design)

Door Width	Maximum No. of Windows
Up to 9' 2"	2
9' 3" to 12' 2"	3
12' 3" to 16' 2"	4
16' 3" to 19' 2"	5
19' 3" to 20' 2"	6

HÖRMANN NORTH AMERICA



Sparta, TN - North American Headquarters / Sectional Doors

FIVE PRODUCTION PLANTS, ONE FAMILY



Puyallup, WA - Sectional Doors



Montgomery, IL - Sectional Doors



Barrie, ON (CAN) - High Performance Doors



Burgettstown, PA - High Performance Doors

As one of the world's leading manufacturers of doors we're committed to providing the best quality, value, and selection.

Whether residential, commercial or industrial, we have the door you're looking for. Each Hörmann product gives you the perfect array of benefits and options to satisfy your customers.

Call toll free

Eastern & Central US: 877.654.6762

Western US: 800.522.2264

Canada: 833.743.2443

Contact

Email: info@hormann.us

Website: hormann.us

Follow us on social media



AVAILABLE FROM:

